

Custom folded 1.2mm aluminium flashing powder coated to match cladding and chased in to 15x6mm saw cut and sealed with flexible joint sealant (By others)

**BF001**  
Alibat fixed to concrete masonry @ 600 centers max

**NC247T + NC248**  
Termination flashing base and cap.

**NC 204**  
10g x 16mm csk Tek screw @ 600 centers through anti-crush packer (by others)

**NC 220**  
15x15mm closed-cell foam insert

Concrete masonry block wall

Concrete masonry fasteners

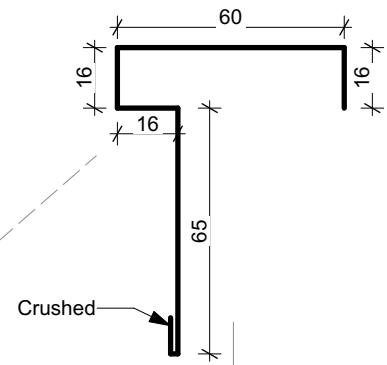
Cut / ripped board

**NC226**  
Impervious barrier (MDPE or similar) between batten & cladding

**NC204**  
10g ss csk screws with 30mm min embedment

**NC203E**  
fixing clip @ 600 centers

Drained and vented cavity as per E2/AS1



Direction of installation

30min

**General note:**

- Cladding fixings omitted for clarity
- When finishing a wall with a ripped board, the board must be direct fixed with a counter sunk screw @ 600mm centres

**Cavity batten note:**

- 20mm single castellated timber battens required for all Nu-Wall installations.
- Batten to have 15° slope for moisture egress
- 18mm single castellated battens are available from Nu Wall for all vertical applications to wall junctions and jambs
- Proprietary Nu-Wall Alibat is available as an alternative when a structural non-combustable cavity batten is required



Nu-Wall cladding vertical on cavity  
Typical Nu-Wall to concrete masonry external corner

NW-VOC-038.03

Drawn by: Nu-Wall	Date: 19/9/2024
Checked by: RL, GT	Scale: 1:2 @ A4

© 2021 copyright in this document is the property of Nu-Wall Aluminium Cladding Limited. All rights reserved. Nu-Wall is a registered trademark of Aluminium Product Brands NZ Limited